

slevcase

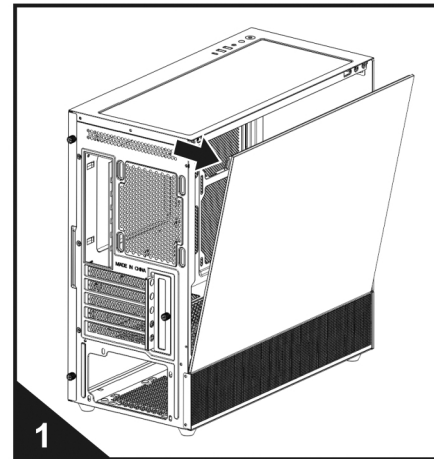


Glazing Fantasy

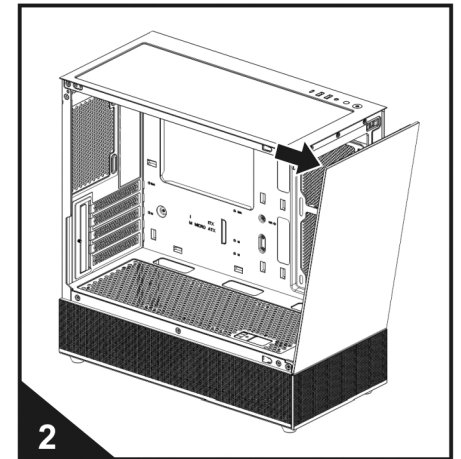
MICRO ATX CASE

USER MANUAL

1 Quick disassembly of left tempered glass side panel and front tempered glass



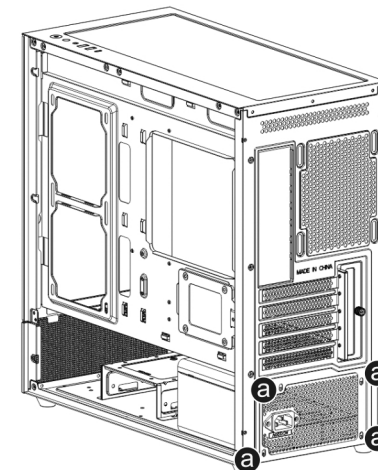
The left tempered glass side panel can be quickly disassembled by pushing it outward from the upper left corner according to the arrow direction as shown in the illustration



The front tempered glass panel can be quickly disassembled by pushing it outward from the upper left corner according to the arrow direction as shown in the illustration

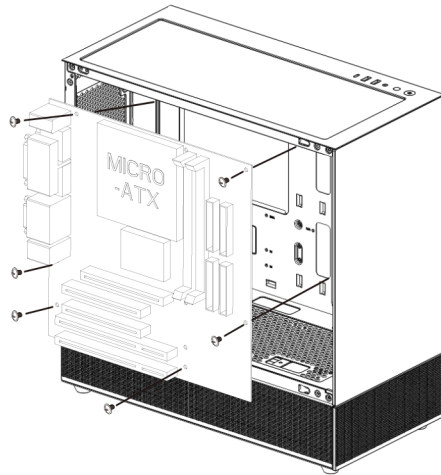
2 PSU installation (support standard ATX PSU)

Install PSU in the positions as shown in the illustration, then fix it by 4 screws at "a" positions



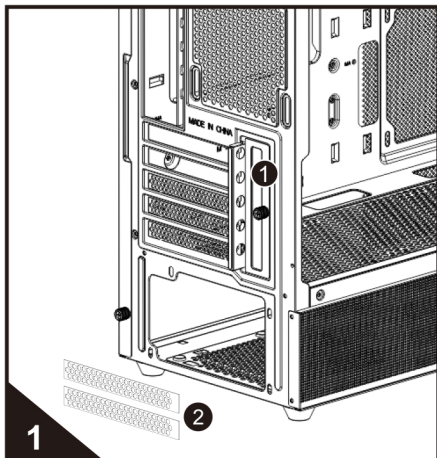
3 M/B installation

Put M/B in the case and align the screw holes, then fix M/B by screws as shown in the following illustration (this case support micro ATX and ITX M/B) (different M/B has different installation characteristics, please refer to the user manual of your M/B before installation)

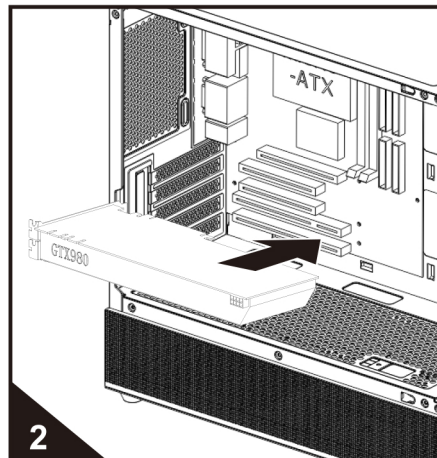


4 VGA card installation

- ① Unscrew the screws of the fastening bar of the PCI slot covers, remove the fastening bar, then break off PCI slot covers
- ② Insert VGA card into the slot of M/B according to the arrow direction; Fix VGA card by screws

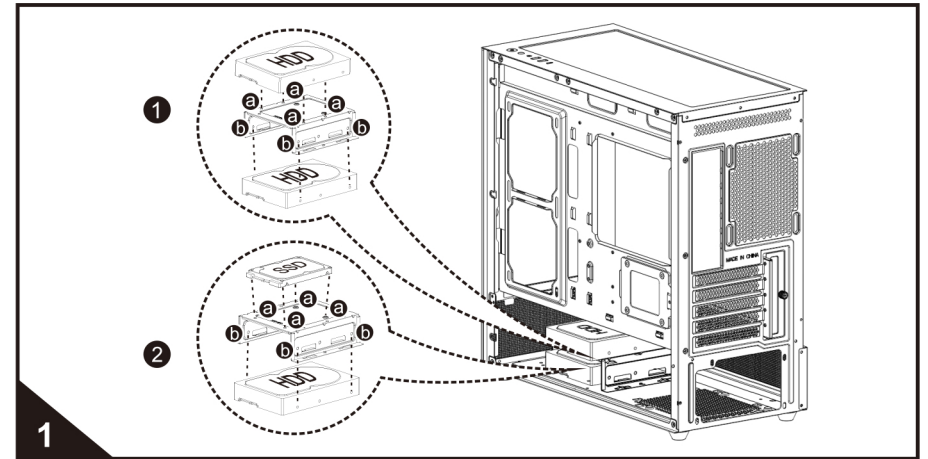


1
2
Unscrew the screws of the fastening bar of the PCI slot covers, remove the fastening bar, then break off PCI slot covers

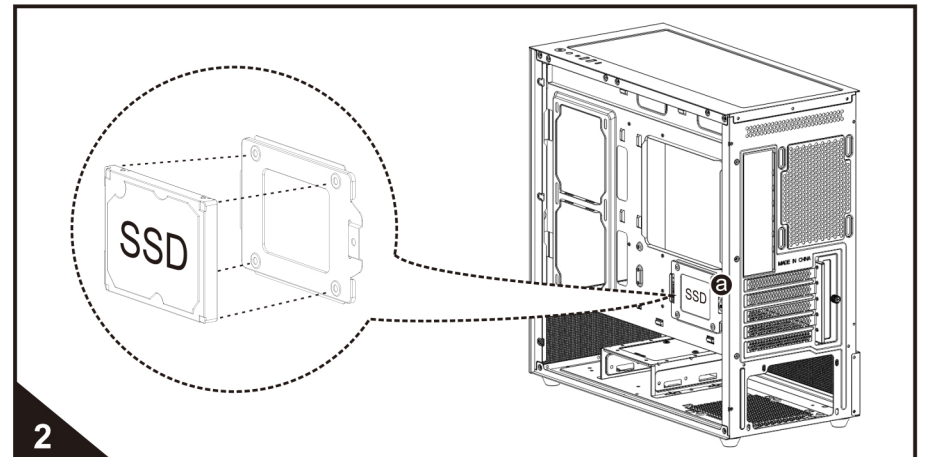


2
Insert VGA card into the slot of M/B according to the arrow direction

5 HDD / SSD installation (Support: HDD*2+SSD*1; OR HDD*1+SSD*2)



- 1
- ① Knock down the HDD/SSD bracket; ② Install one 3.5" HDD (illustration 1) or one 2.5" SSD (illustration 2) on the up side of the bracket. Align the screw holes of HDD with the corresponding holes of the bracket at "a" positions, then fix the HDD by screws from the inside of the bracket. Install another 3.5" HDD on the down side of the bracket, align the side screws holes, then fix the 2nd HDD by screws from both sides. (caution: must fix the HDD on the up side first before fix the 2nd HDD on the down side);
 - ③ Finally re-install the HDD/SSD bracket in the locking slots on the bottom panel, fix the bracket from the bottom by two screws



- 2
- ① Knock down the SSD bracket on the back of M/B;
 - ② Fix 1*2.5" SSD on the bracket as shown in the illustration;
 - ③ Re-install the SSD bracket in the slot on the back of M/B, fix it by screws at "a" position

6 Cooling device compatibility

- Partition plate: 3*12CM fan
- M/B bracket: 2*12cm fan
- Rear plate: 1*12cm fan or 1*120mm water cooling kit
- Top plate: 3*12cm fan or 2*14cm fan or 1*360mm water cooling kit or 1*280mm water cooling kit