

slevcase



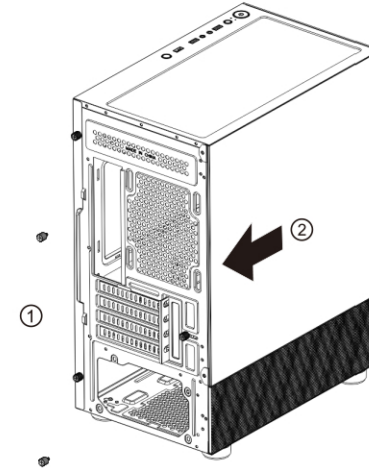
# **HORIZON**

MICRO ATX CASE

USER MANUAL

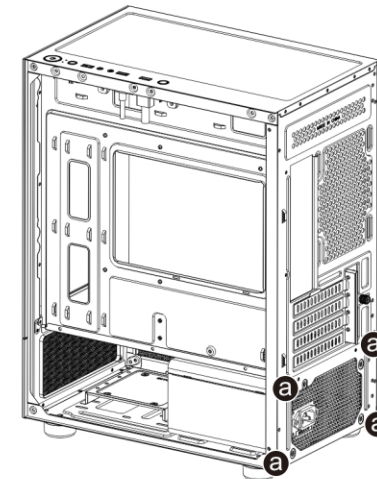
## **1** Removal of the Left Glass Side Panel

1. Unscrew the screws at the rear end of the left glass side panel.
2. Slide the glass side panel out in the direction of the arrow.



## **2** Power Supply Installation (Supports Standard ATX Power Supply)

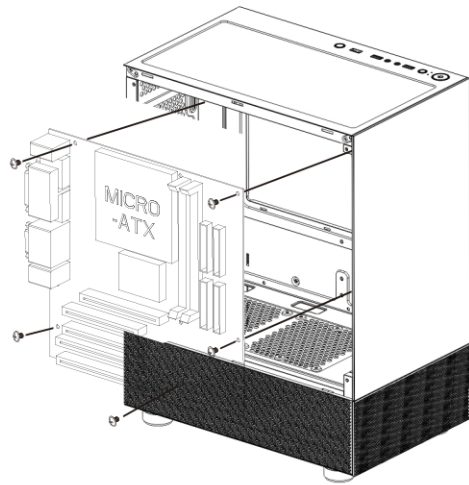
Place the power supply in the position shown in the diagram and secure it with four screws.



### 3 Motherboard Installation

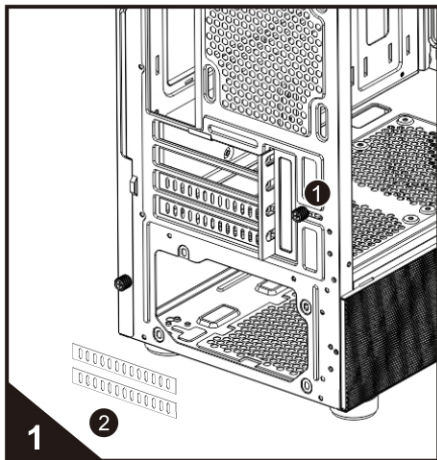
Align the motherboard with the holes in the chassis and fasten the screws as shown in the diagram (Supports ITX/MICRO ATX motherboards).

(Each motherboard has different installation features, it is recommended to refer to your manual during installation.)

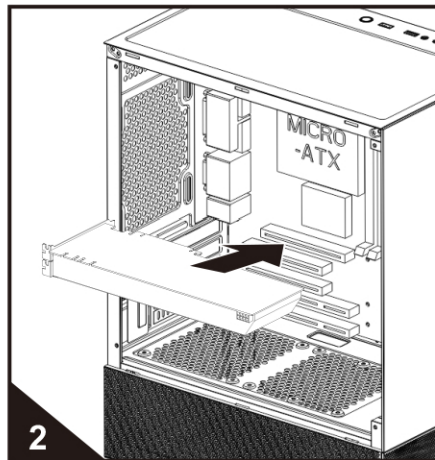


### 4 Graphics Card Installation

1. Unscrew the screws of the fixed graphics card baffle, remove the baffle and remove the PCI seal.
2. Insert the graphics card into the slot on the motherboard in the direction of the arrow and secure it with screws.

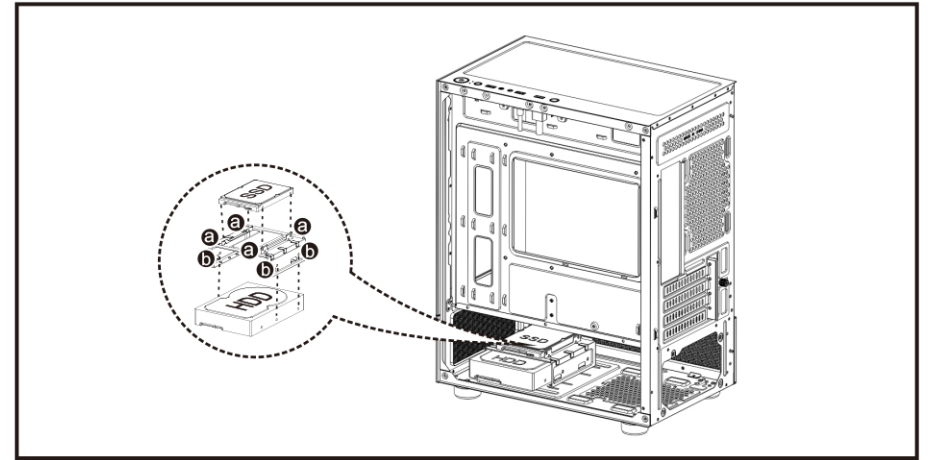


1  
2  
Unscrew the screws of the fixed graphics card baffle, remove the baffle, and remove the PCI seal



2  
Insert the graphics card into the slot on the motherboard in the direction of the arrow, and secure it with screws

### 5 Hard Drive Installation (Supports: 1 x 3.5" drive, 1 x 2.5" drive)



1. First, remove the disk drive bracket; then install one 3.5-inch drive and one 2.5-inch drive on the top of the disk drive bracket, aligning with the corresponding a holes and secure them with screws from both sides.
2. Finally, install the disk drive bracket into the bottom plate slot and secure it with screws from the bottom.

### 6 Cooling System Support

Partition Plate: 2 x 12CM Fans

Rear Panel: 1 x 12CM Fan or 1 x 120 Radiator

Top Panel: 2 x 12CM Fans or 2 x 14CM Fans or 1 x 240 Radiator

