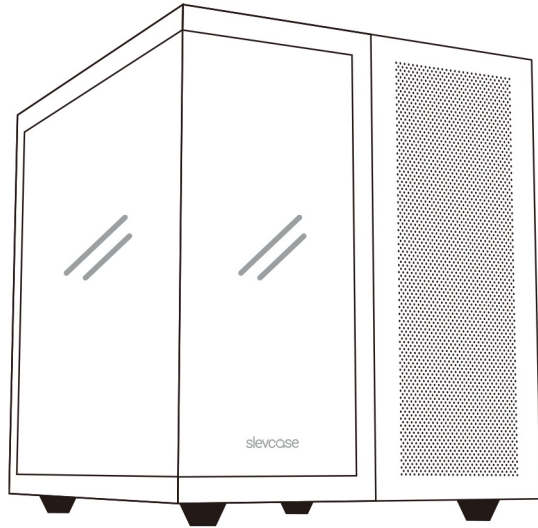


slevcase



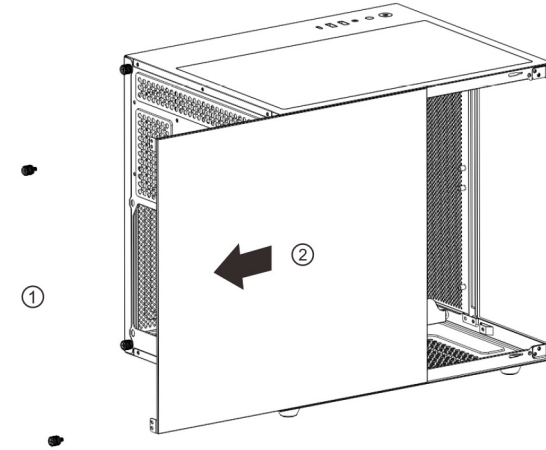
SEAVIEW

MICRO ATX CASE

USER MANUAL

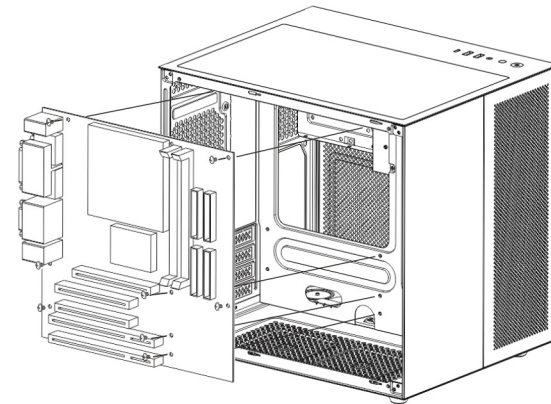
1 Tamper glass side panel un-installation

- ① Unscrew the rear end of the left tamper glass side panel;
- ② Slide the tamper glass side panel out in the direction of the arrow



2 M/B installation

Put M/B in the case and align the screw holes, then fix M/B by screws as shown in the following illustration (this case support micro ATX M/B and ITX M/B) (different M/B has different installation characteristics, please refer to the user manual of your M/B before installation)

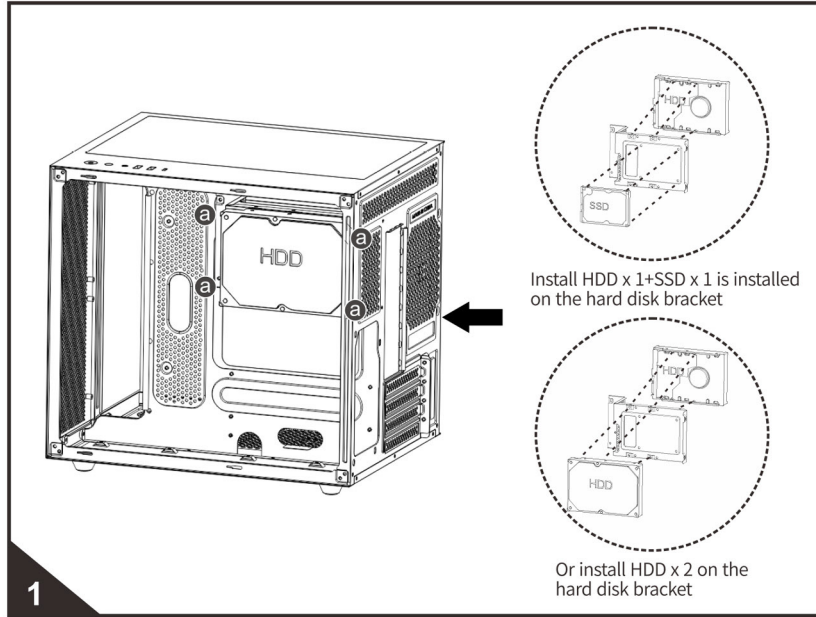


Bottom can install SSD x 2

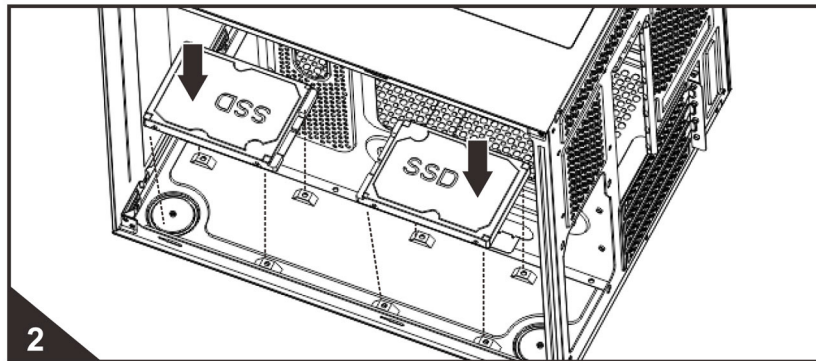
3 HDD / SSD installation (Support:HDD×1+SSD×3 or HDD×2+SSD×2)

- ① HDDx 1+SSD x 1 or HDDx2 is installed on the hard disk bracket. Then install the hard drive cracket on the chassis,tighten screws shown at "a"
- ② SSD×2 can be installed on the bottom cover. Align the screw with the hole and lock it from the bottom

① HDDx 1+SSD x 1 or HDDx2 is installed on the hard disk bracket



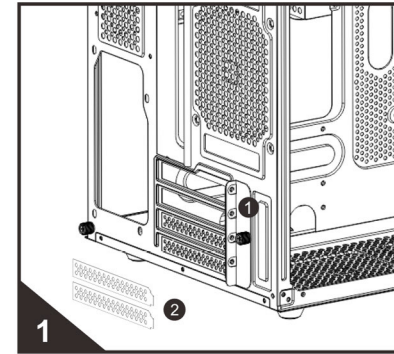
② SSD x 2 can be installed on the bottom



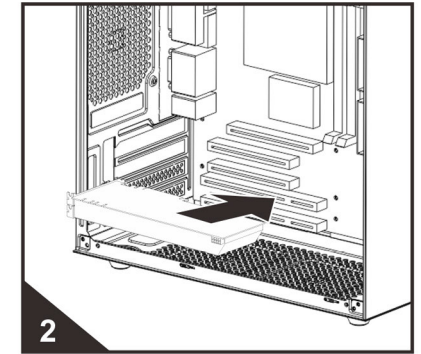
Bottom can install SSD x 2

4 VGA card installation

- ① Unscrew the fixing video card baffle ,unscrew the baffle, and remove the PCI seal
- ② Insert the graphics card into the slot on the motherboard along the arrow direction



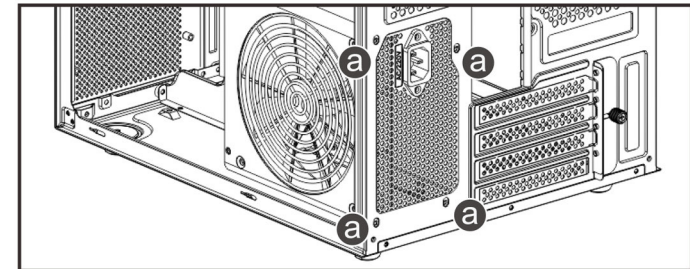
Unscrew the securing screws on the PCI seal and remove the seal



The graphics card is inserted into the slot on the motherboard in the arrow direction

5 PSU installation

Put PSU to the position as shown in the illustration, fasten the 4 pcs screws of "a" positions



6 Cooling device compatibility

- Top: 2x12cm fan or 1x240mm water cooler or 2x14cm fan or 1x280mm water cooler
Front: 2x12cm fan
Bottom: 2x12cm fan
Rear: 1x12cm fan or 1x120mm water cooling

