

slevcase



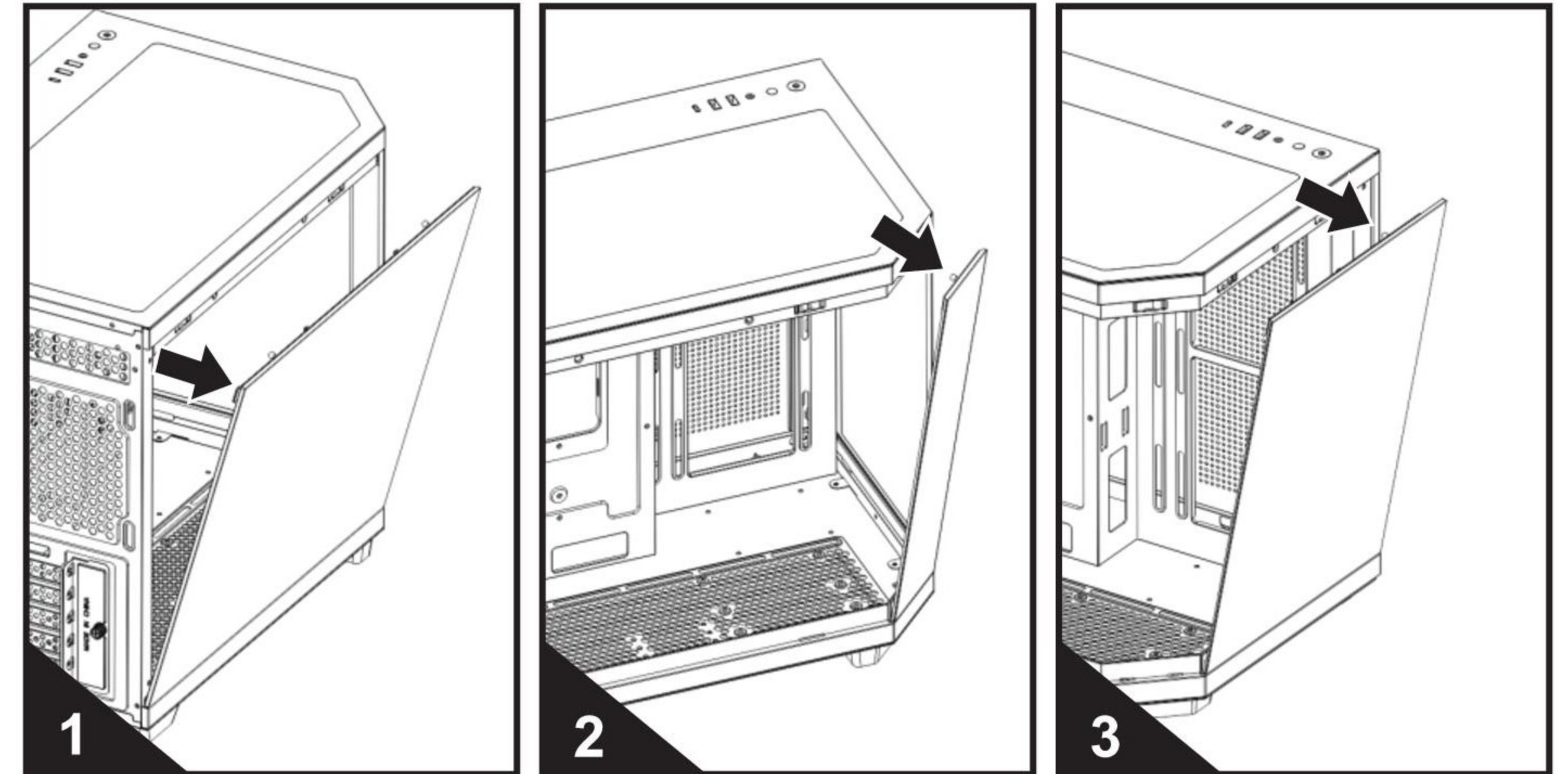
ALLURE

MICRO ATX CASE

USER MANUAL

Product by slev | www.slev.my

1 Effortless disassemble of three-sided tempered glass panel.

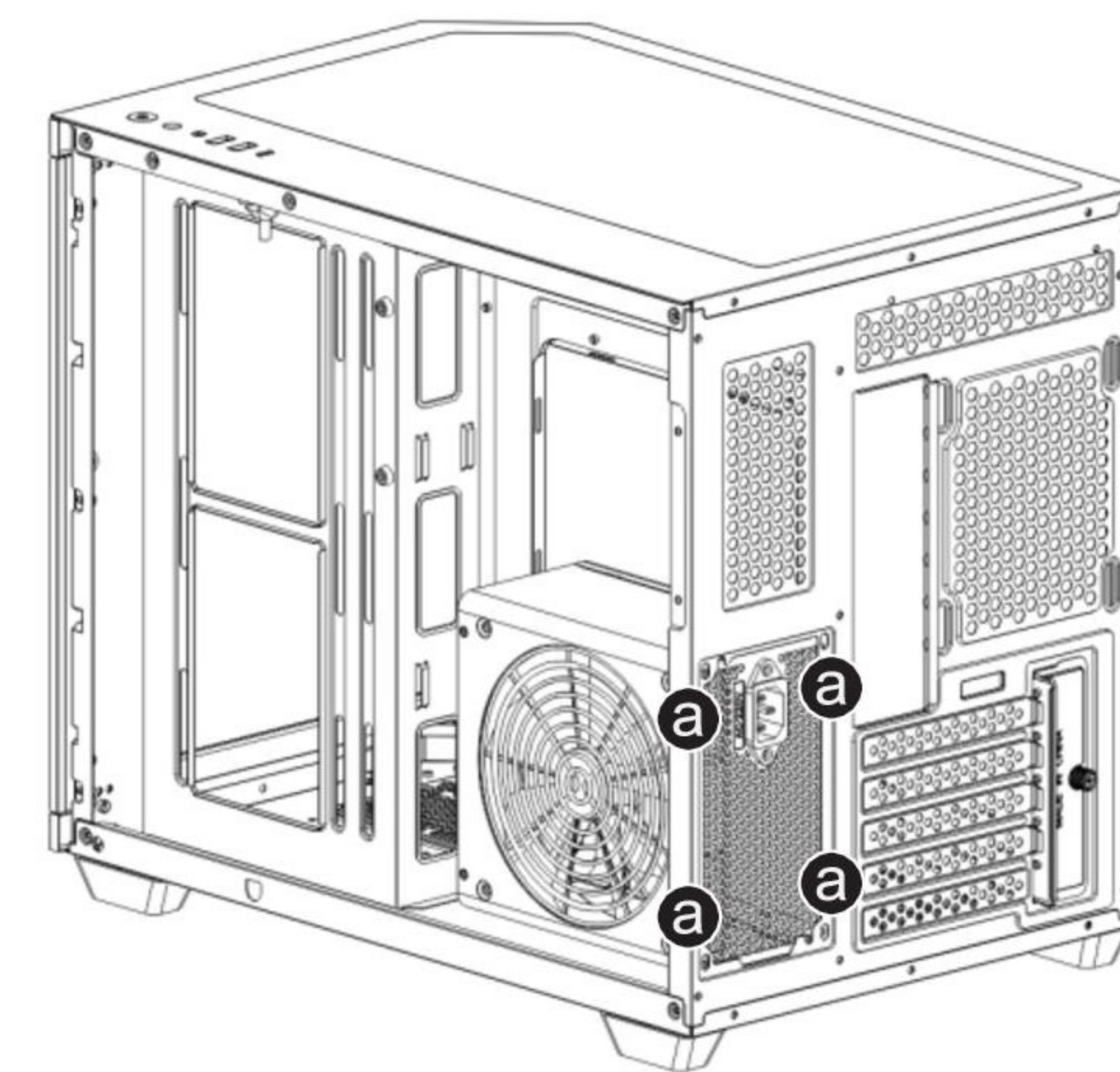


The left side tempered glass panel can be easily disassembled by pushing it outward from the upper left corner according to the arrow direction as shown in the illustration.

The middle side tempered glass panel can be easily disassembled by pushing it outward from the upper left corner according to the arrow direction as shown in the illustration.

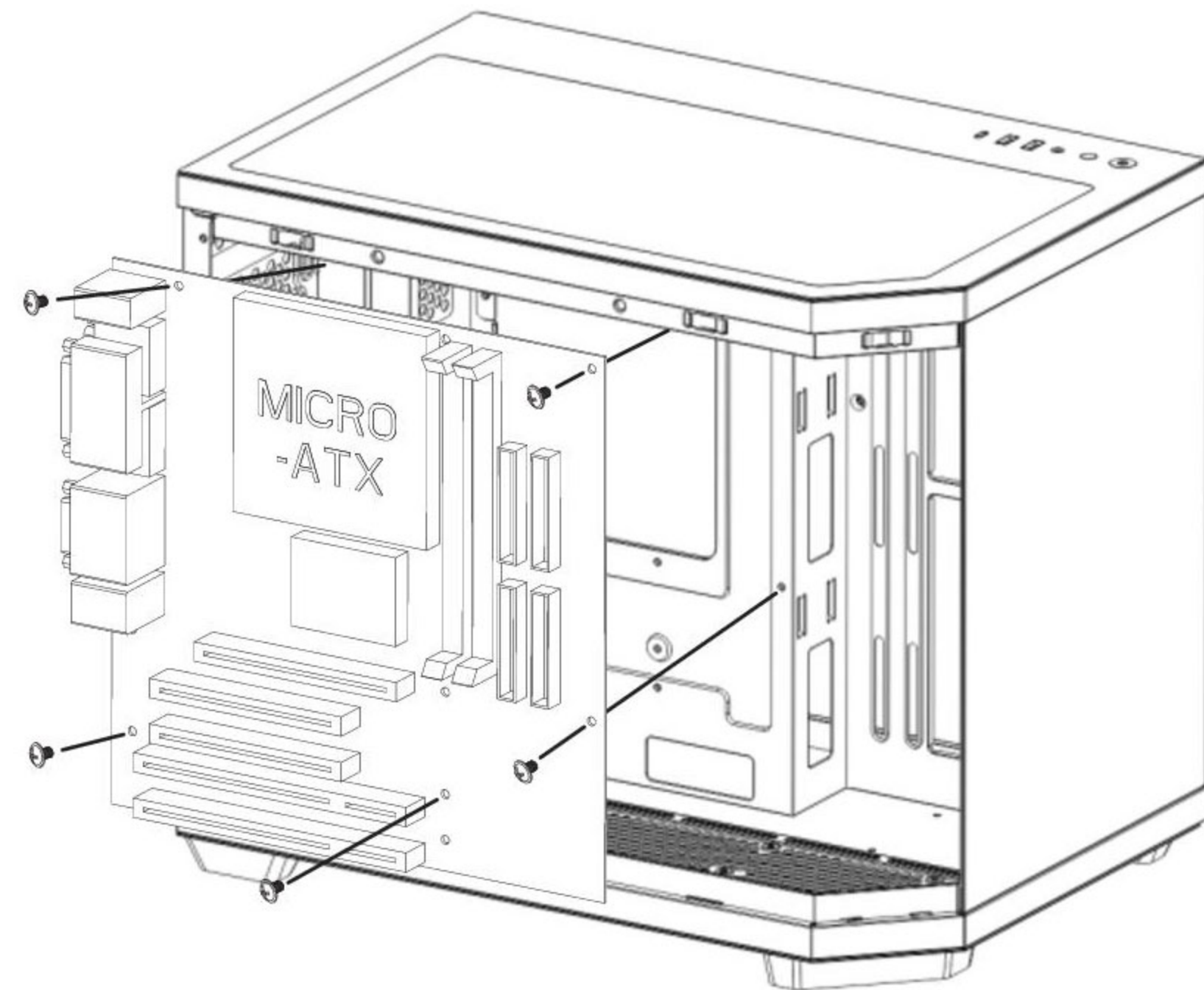
The front side tempered glass panel can be easily disassembled by pushing it outward from the upper left corner according to the arrow direction as shown in the illustration.

2 Effortless PSU installation (support standard ATX PS/2 PSU)



Align the PSU with the mounting holes indicate with **a**, use the screws provided with your PSU to secure it to the case. Tighten them with a Phillips head screwdriver.

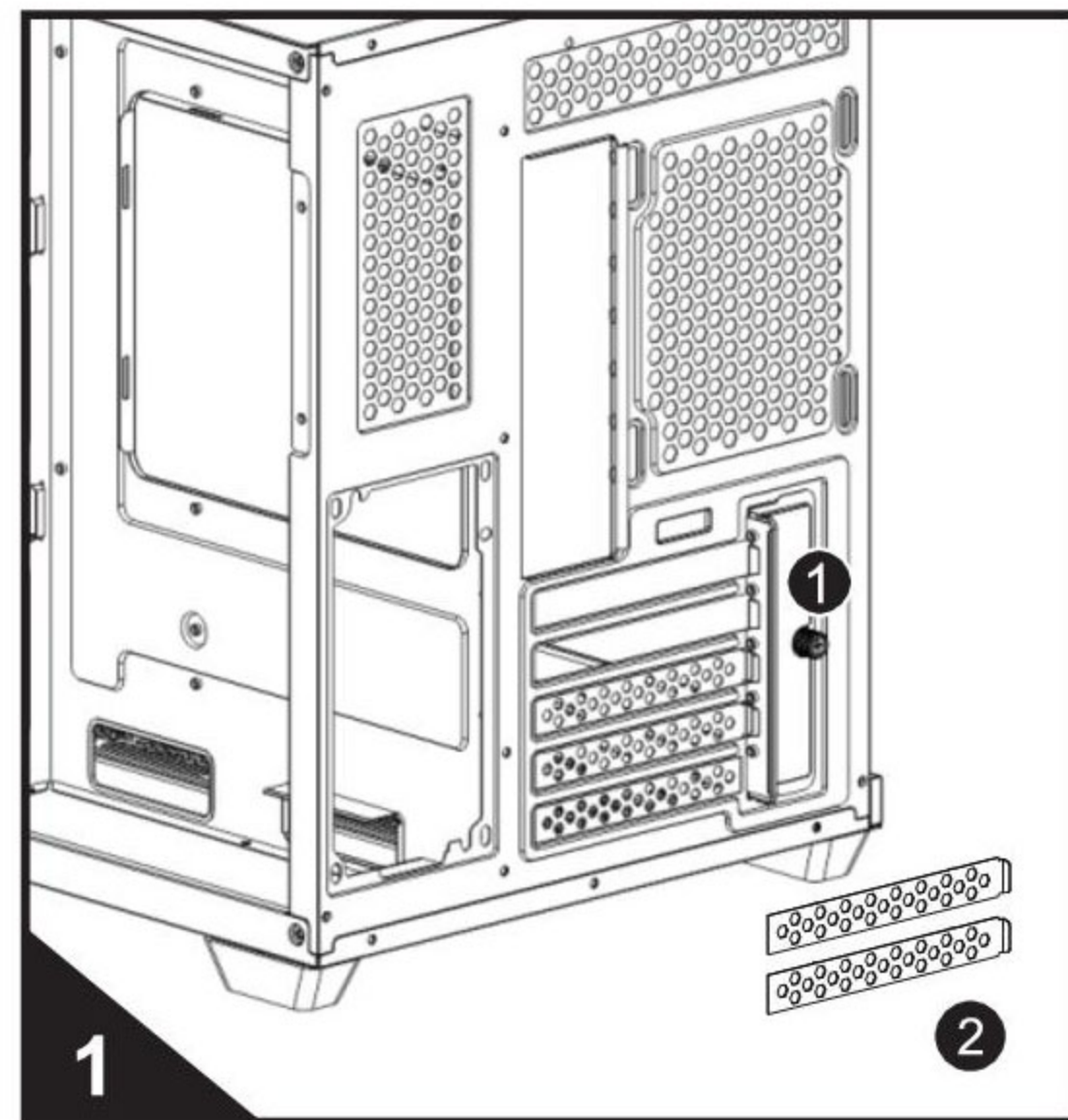
3 Effortless motherboard installation



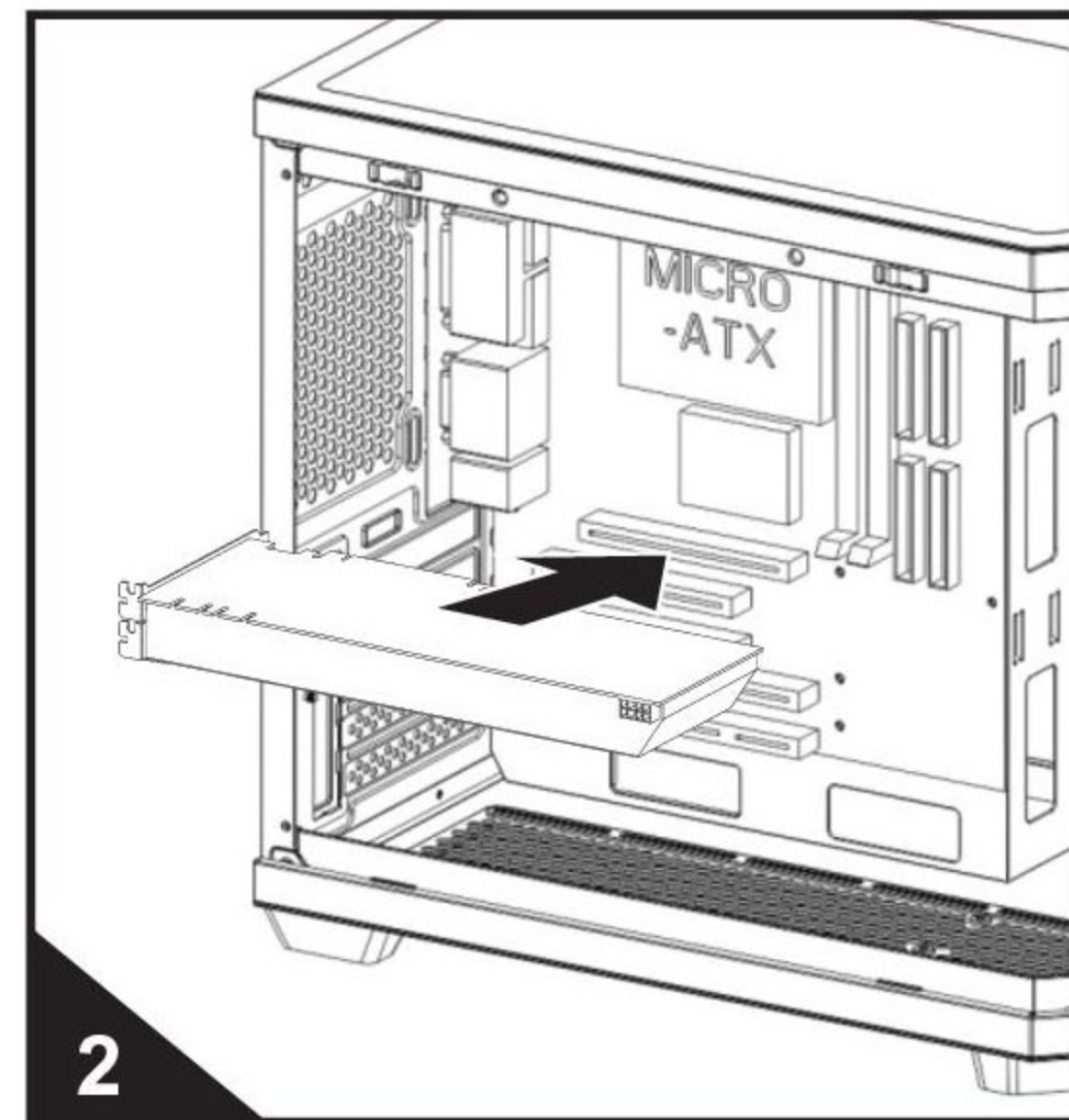
- Remove the side panels of your PC case.
- Carefully lower the motherboard into the case, aligning the I/O ports with the I/O shield and the mounting holes with the standoffs.
- Use the screws provided with your case to secure the motherboard to the standoffs.
- Tighten the screws with a Phillips head screwdriver but do not over-tighten them.

(This case support M-ATX and ITX motherboard. Different motherboard has different installation method, please refer to the user manual of the motherboard before installation.)

4 Effortless graphics card installation



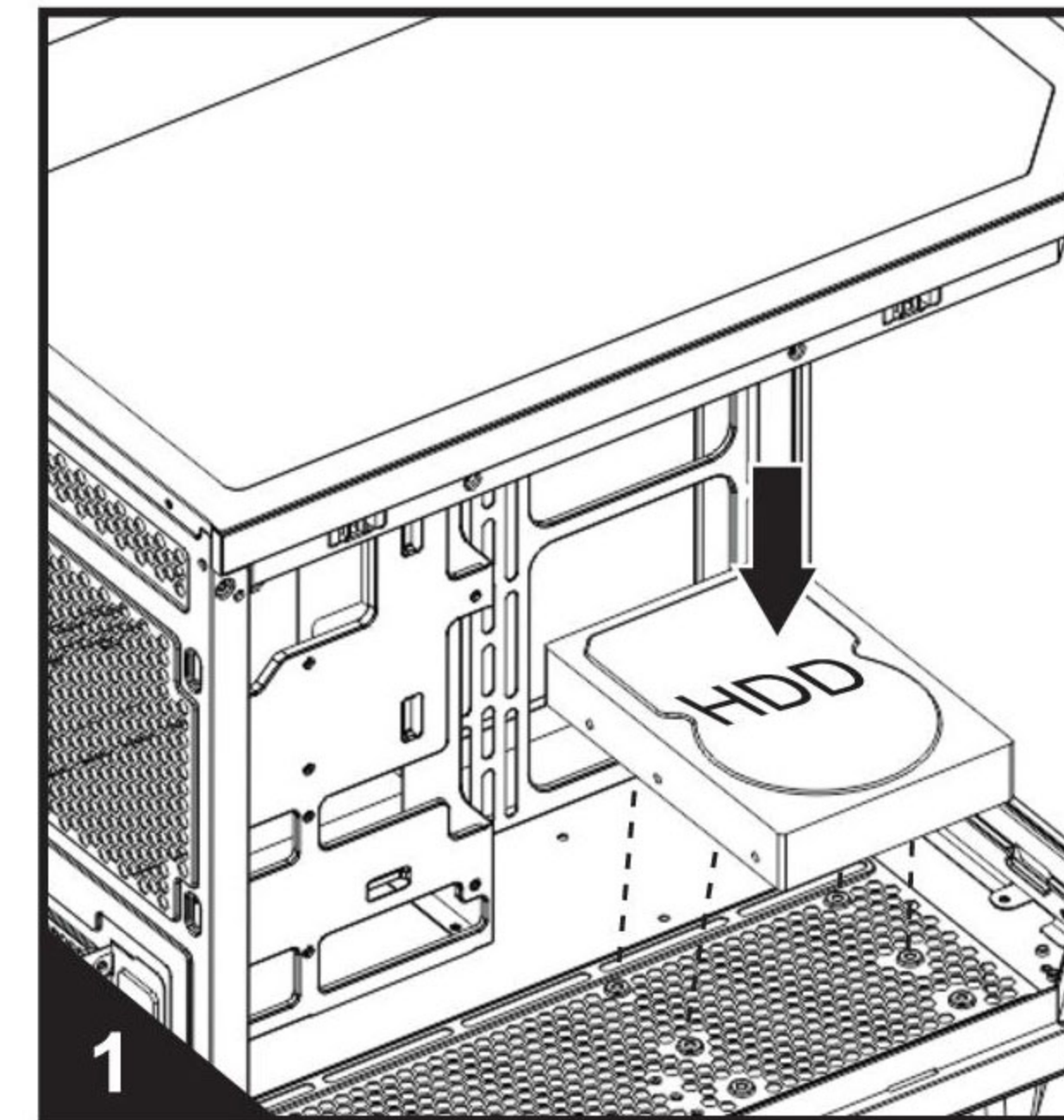
Remove the corresponding expansion slot covers on the back of the case. These are usually held in place by screws or metal tabs.



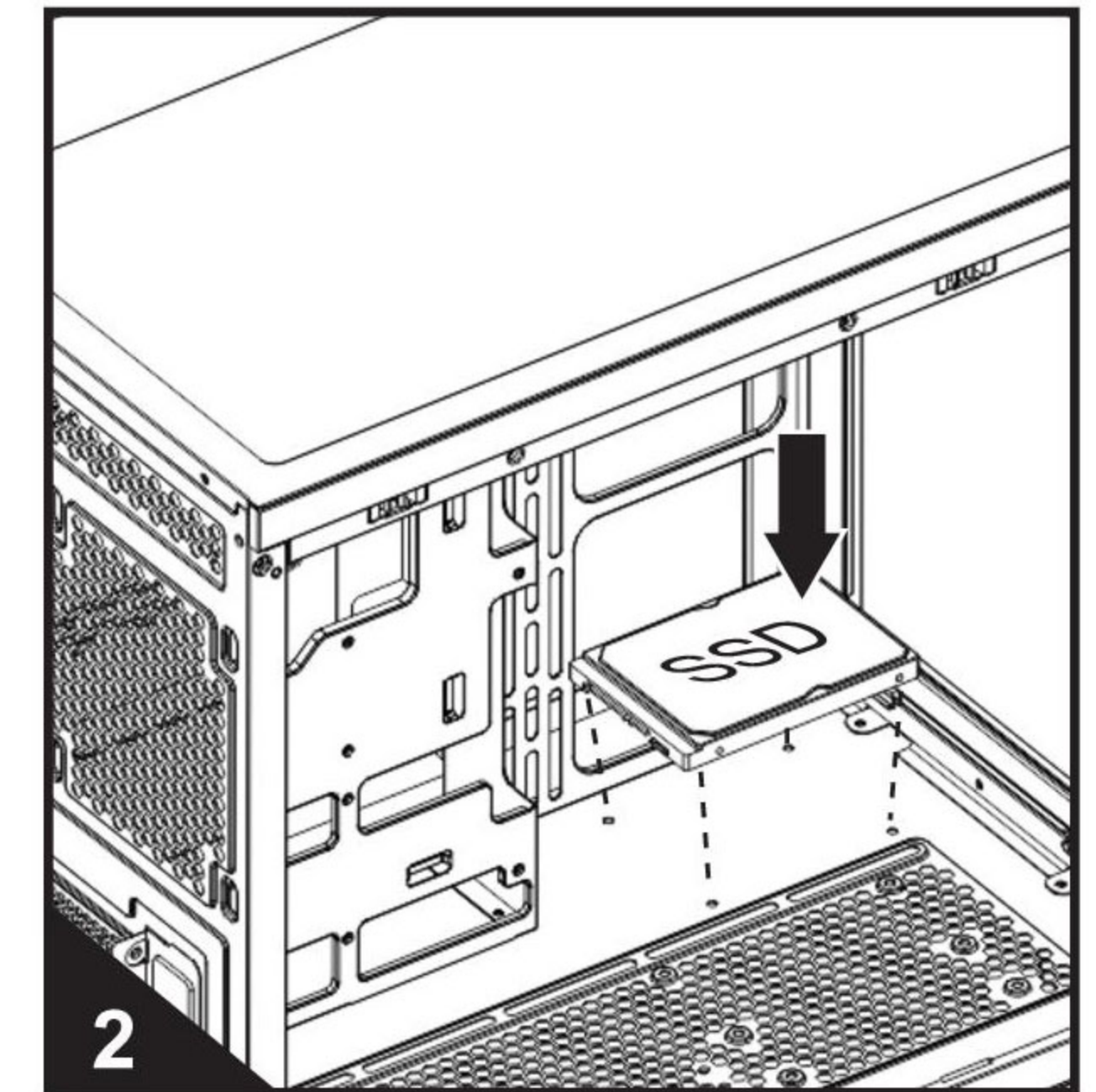
Hold the graphics card by its edges and align the golden PCIe connector with the motherboard PCIe slot. Gently but firmly push the card straight into the slot until it is fully seated. You may hear a click when it's properly in place.

- Use the screws removed earlier to secure the the graphics card's bracket to the case.
- Tighten the screws with a Phillips head screwdriver but do not over-tighten them.

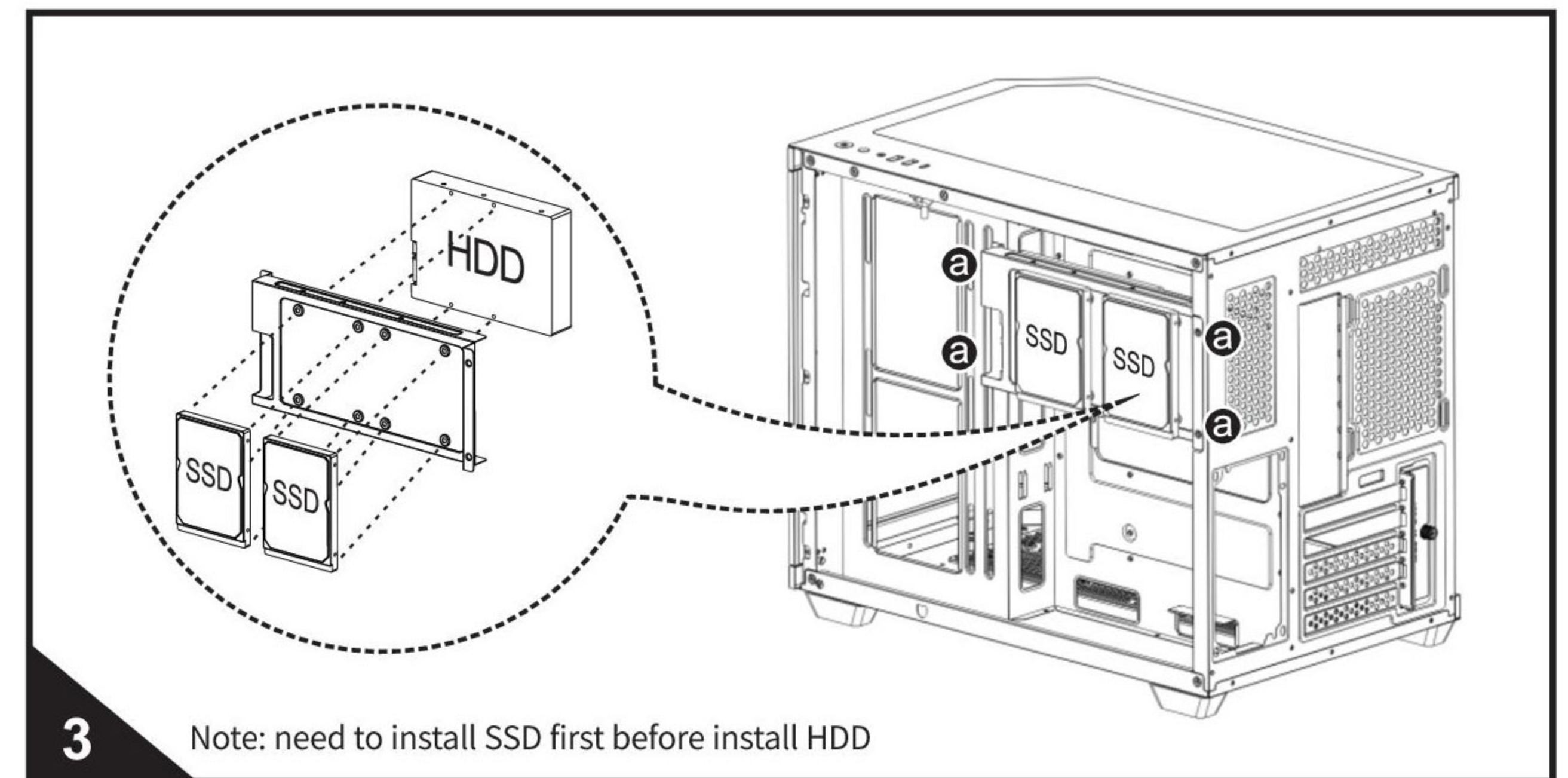
5 Effortless HDD/SSD installation (support: HDD x2 + SSD x2 or HDD x1 + SSD x3)



- Identify the 3.5 inch drive bay or mounting areas in your case designated for HDD.
- Align the mounting holes on the HDD with those in the mounting bracket.
- Secure the HDD using screws provided with your case or drive, tightening them with a Phillips head screwdriver.



- Identify the 2.5 inch drive bay or mounting areas in your case designated for SSD.
- Align the mounting holes on the SSD with those in the mounting bracket.
- Secure the SSD using screws provided with your case or drive, tightening them with a Phillips head screwdriver.



1. Remove the storage drive bracket
2. Install 2.5" SSD (max 2pcs) on the bracket as shown in the illustration
3. Install 3.5" HDD x1 on the other side of the bracket as shown in the illustration
4. Mount the storage drive bracket to its original location, secure with screws at the positions marked **a**

6 Cooling device compatibility

- Top: 120mm fan x3 or 360mm radiator x1
- Rear: 120mm fan x1 or 120mm radiator x1
- Bottom: 120mm fan x1 or 240mm radiator x1
- Motherboard bracket (Side): 120mm/140mm fan x2 or 240mm/280mm radiator x1