

slevcase



Envision

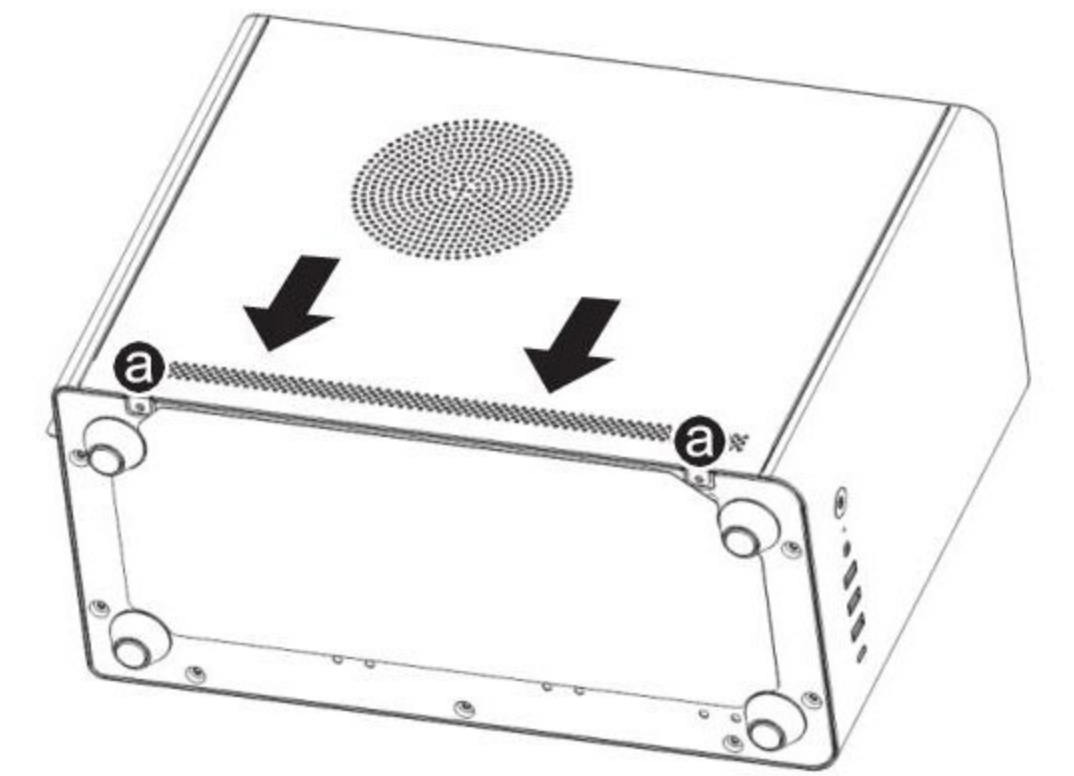
MICRO ATX CASE

USER MANUAL

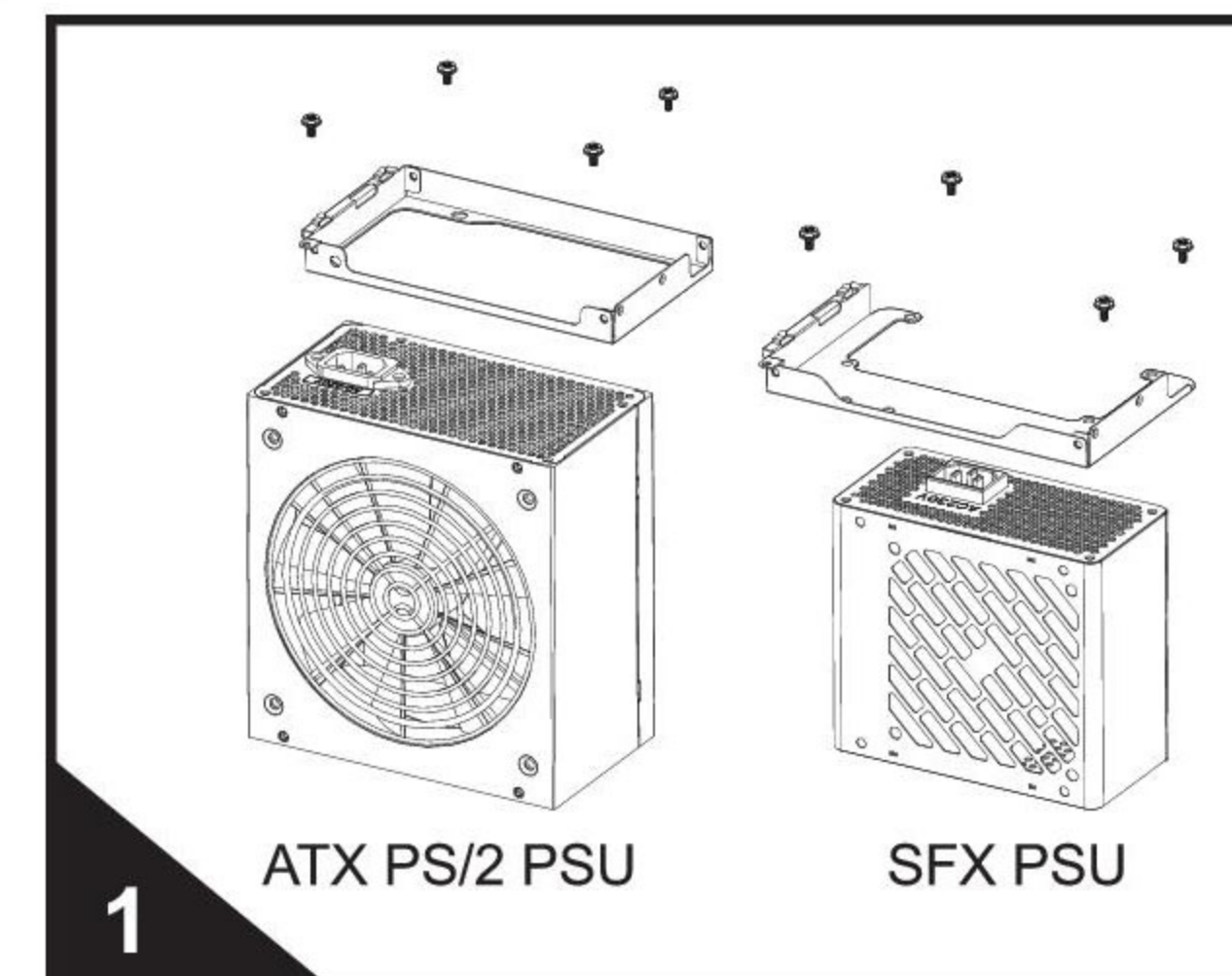
Product by slev | www.slev.my

1 Effortless disassemble of side panel.

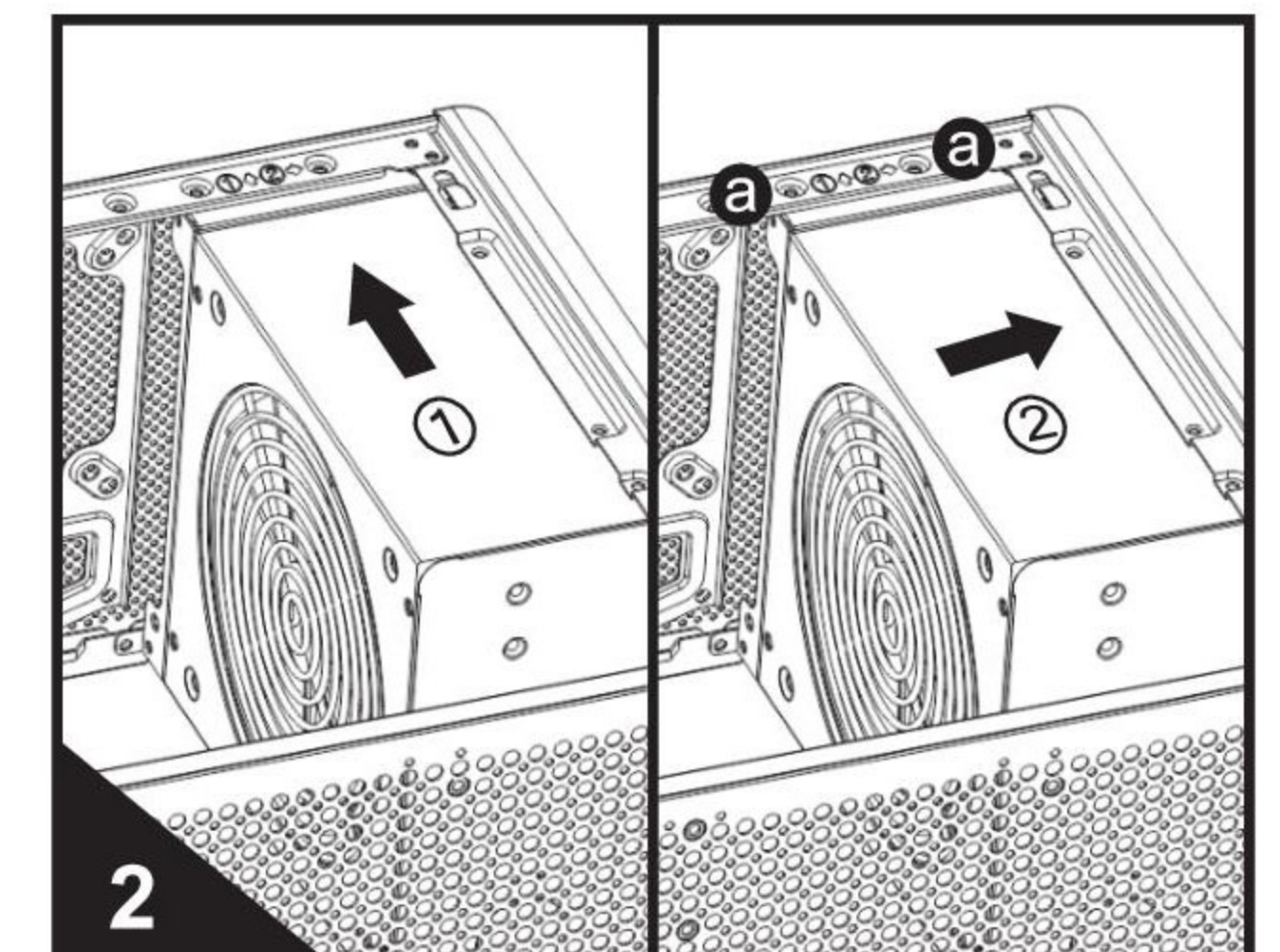
- Unscrew the 2 screws indicate with **a**, positions at the bottom panel.
- Slide out side panel according to the arrow direction shown in the illustration.



2 Effortless PSU installation (support standard ATX PS/2 & SFX PSU)



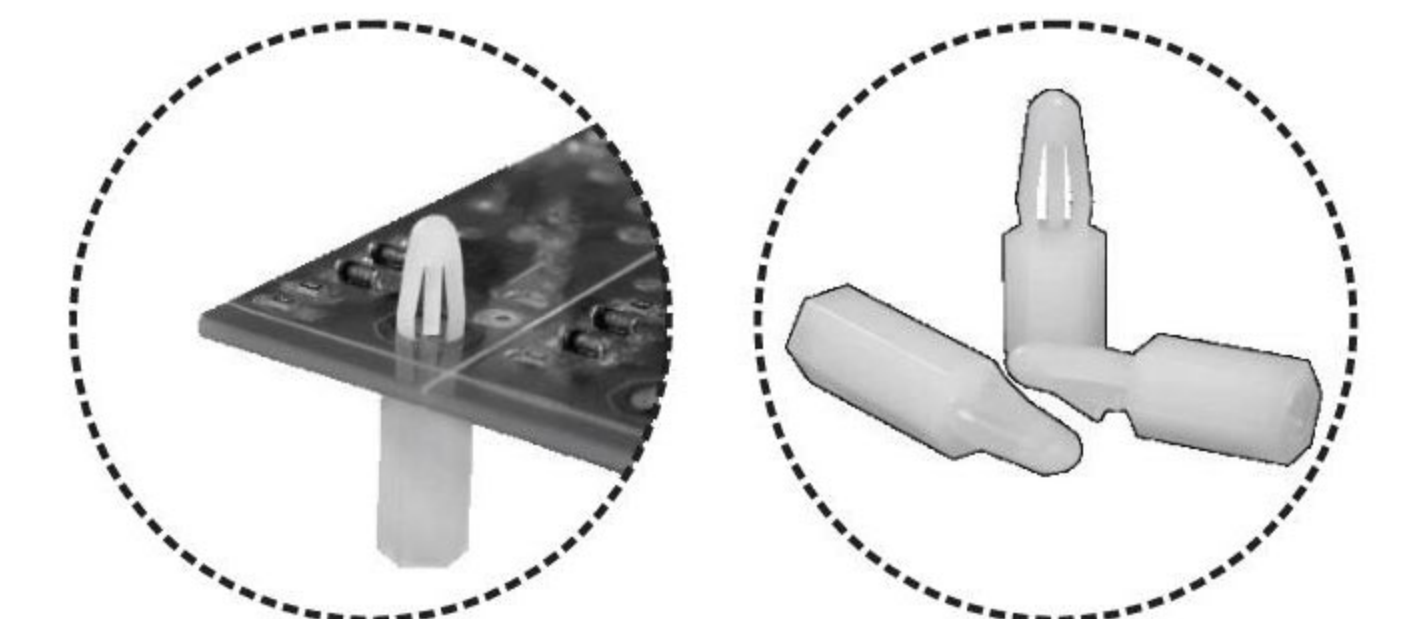
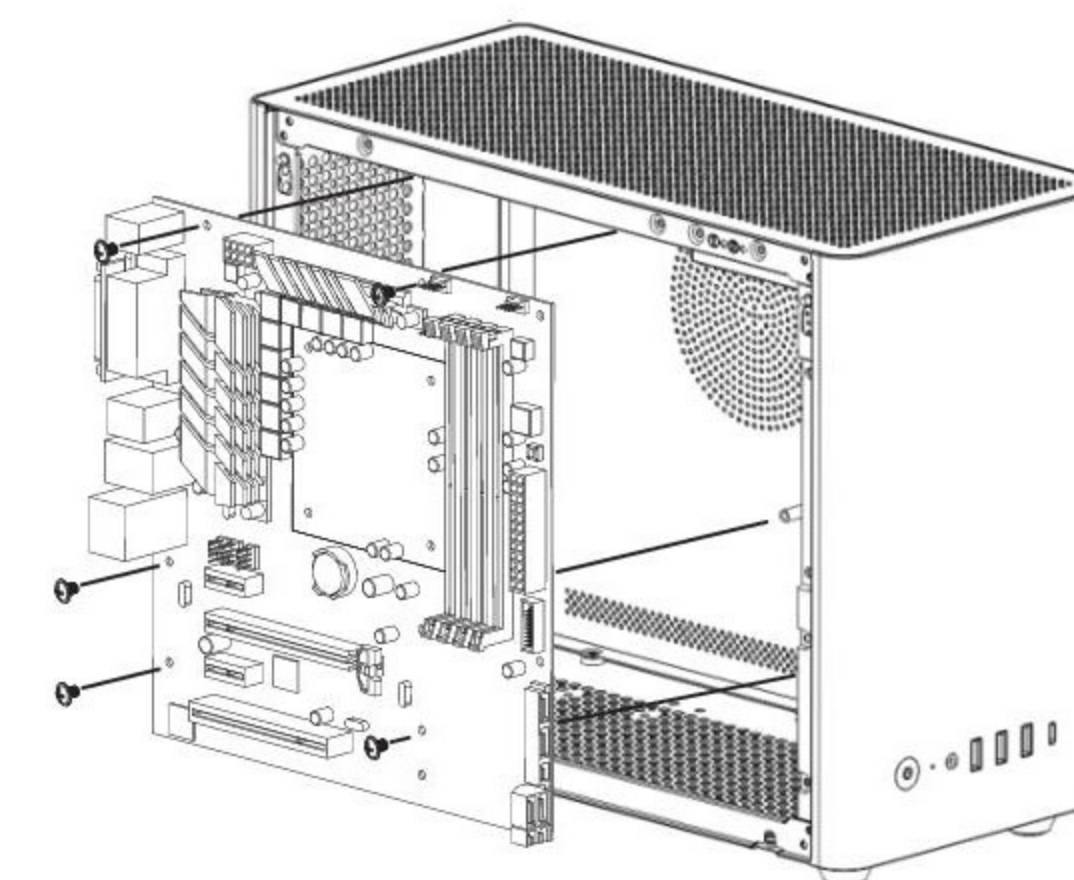
Fix ATX PS/2 PSU on the bracket of ATX PS/2 PSU; or fix SFX PSU on the bracket of SFX PSU



Align the PSU bracket flat on right side panel inside the chassis (avoid motherboard pillar), push it towards to the top panel till the end according to arrow 1, then push it towards right for the bracket to align in the right position to arrow 2 as shown in illustration. Tighten the 2 screws that indicate **a** with a Phillips head screwdriver.

3 Effortless motherboard installation

(Reminder: Kindly install PSU first if motherboard is big size M-ATX)

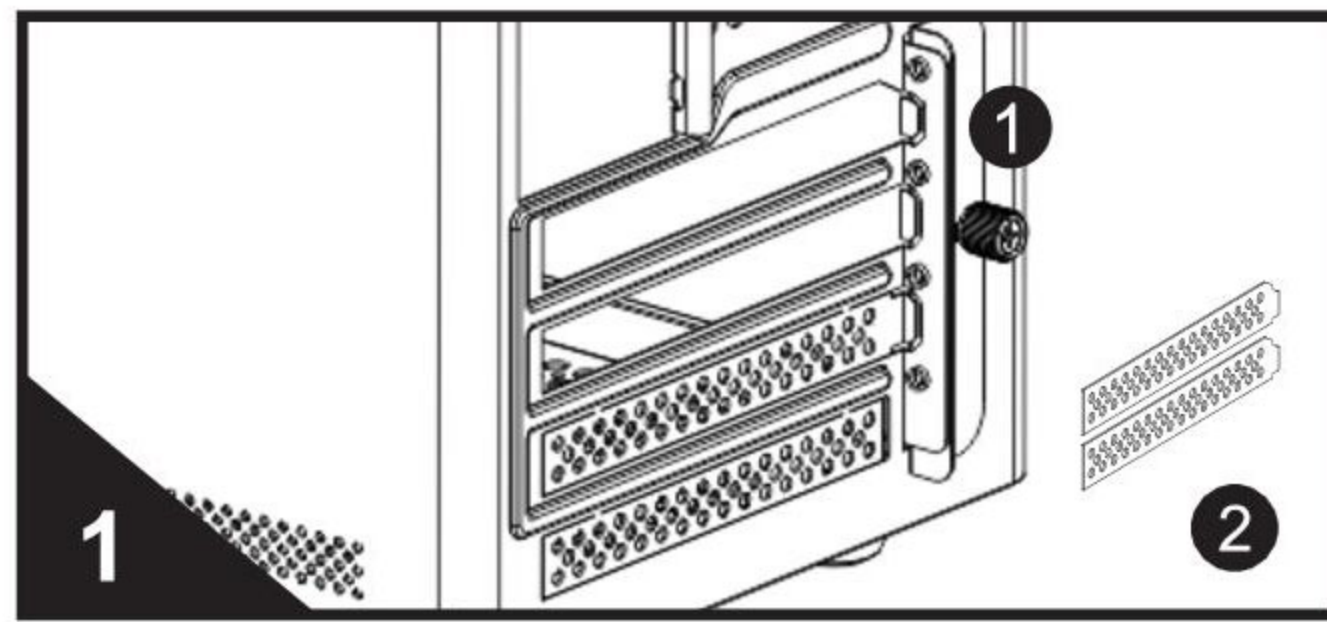


* If there is no screw pillar under any hole of the motherboard, please take out the plastic fixing pillar from the accessories bag and insert it into the hole of the motherboard to hold up the motherboard.

- Remove the side panels of your PC case.
- Carefully lower the motherboard into the case, aligning the I/O ports with the I/O shield and the mounting holes with the standoffs.
- Use the screws provided with your case to secure the motherboard to the standoffs.
- Tighten the screws with a Phillips head screwdriver but do not over-tighten them.

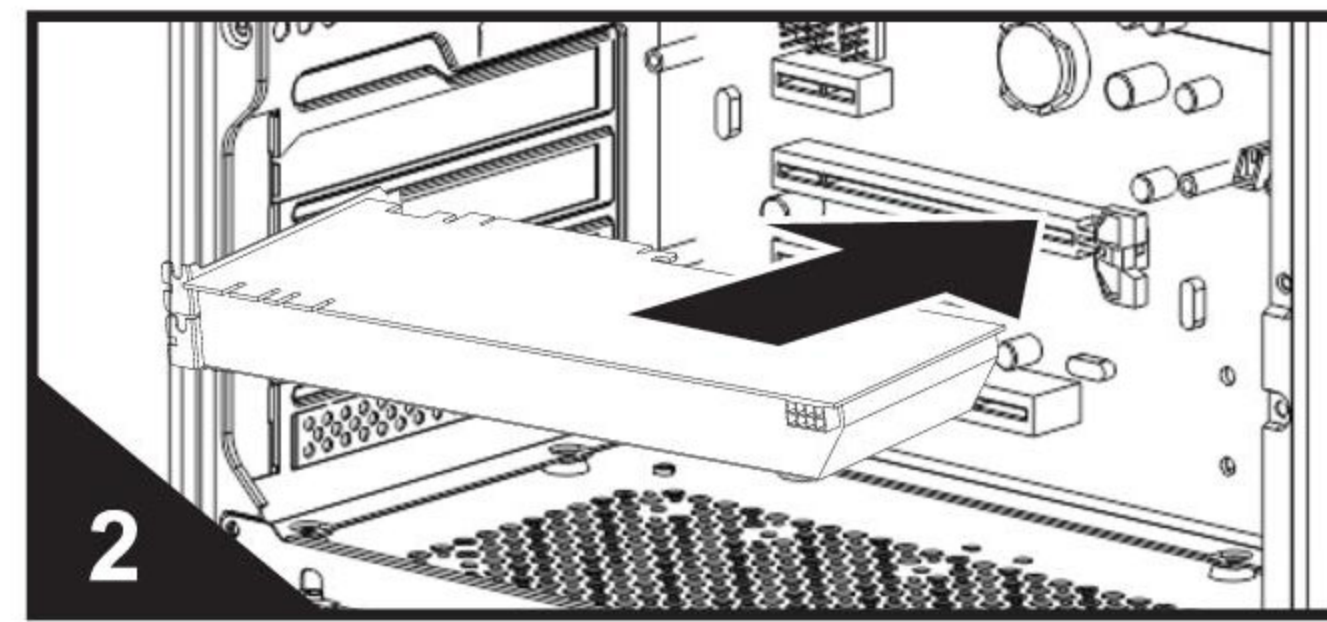
(This case support M-ATX and ITX motherboard. Different motherboard has different installation method, please refer to the user manual of the motherboard before installation.)

4 Effortless graphics card installation



Remove the corresponding expansion slot covers on the back of the case. These are usually held in place by screws or metal tabs.

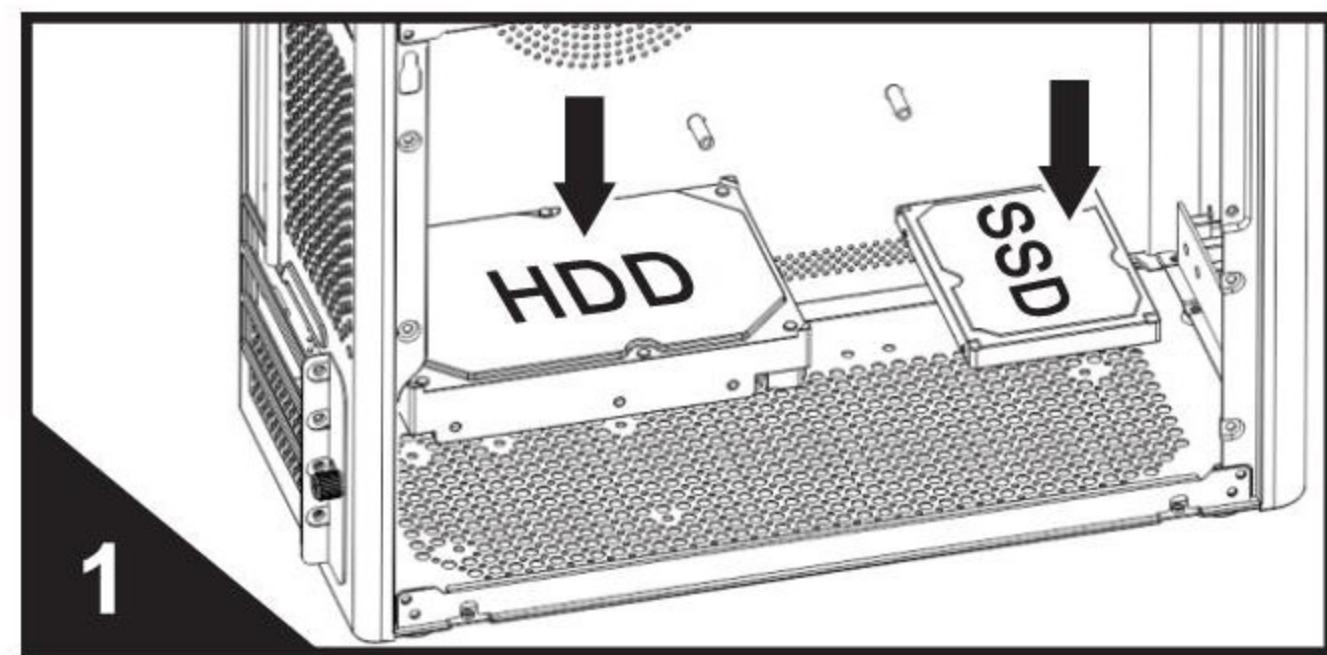
- Use the screws removed earlier to secure the the graphics card's bracket to the case.
- Tighten the screws with a Phillips head screwdriver but do not over-tighten them.



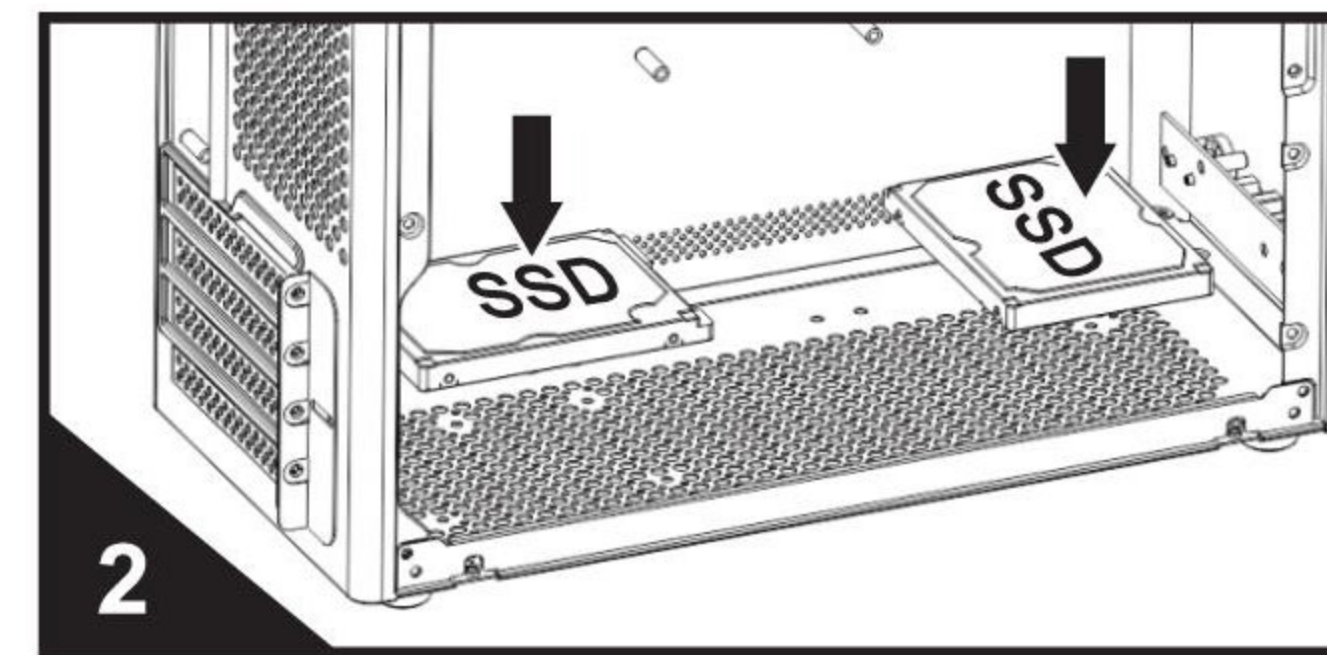
Hold the graphics card by its edges and align the golden PCIe connector with the motherboard PCIe slot. Gently but firmly push the card straight into the slot until it is fully seated. You may hear a click when it's properly in place.

5 Effortless HDD/SSD installation (support: HDD x1 + SSD x2 or SSD x3)

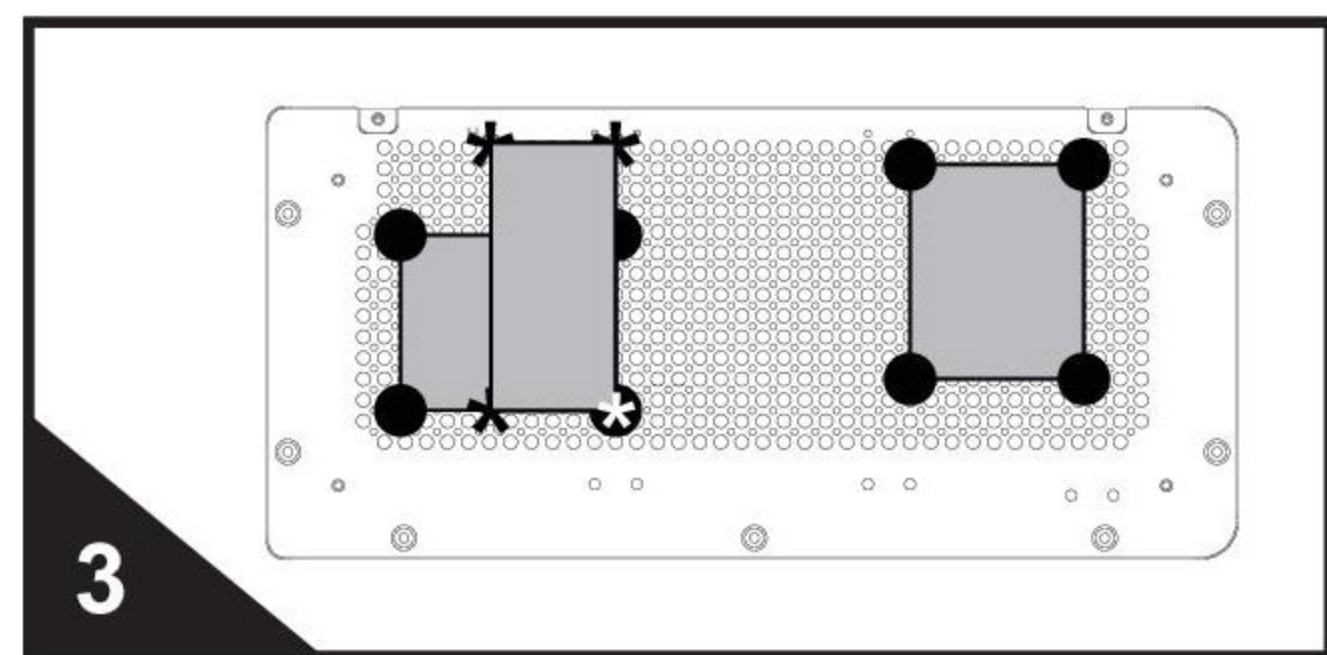
Install 3.5 inch HDD and 2.5 inch SSD on the positions as shown in the illustration. Align the mounting position accordingly and tightening them with a Phillips head screwdriver.



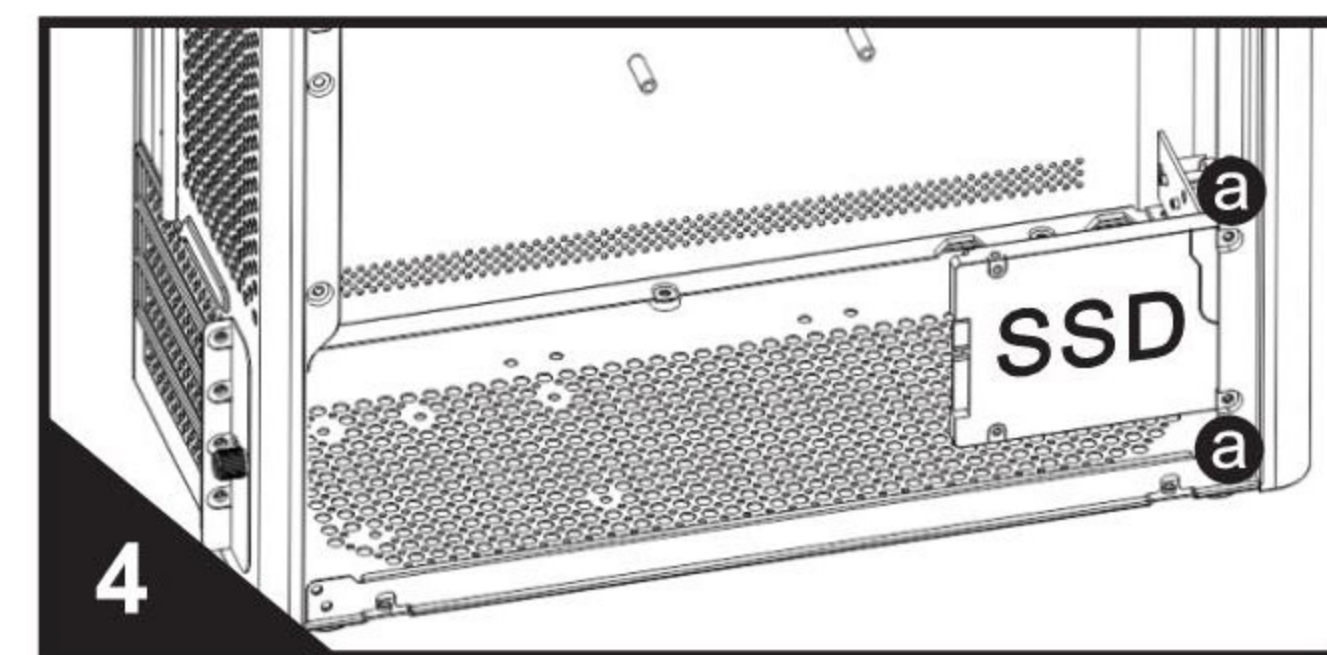
Fix 3.5 inch HDD and 2.5 inch SSD on bottom panel by screws. (need to connect SSD cables first before fix SSD on bottom panel)



Or fix 2.5 inch SSD x2 on the bottom panel by screws. (need to connect SSD cables first before fix SSD on bottom panel)



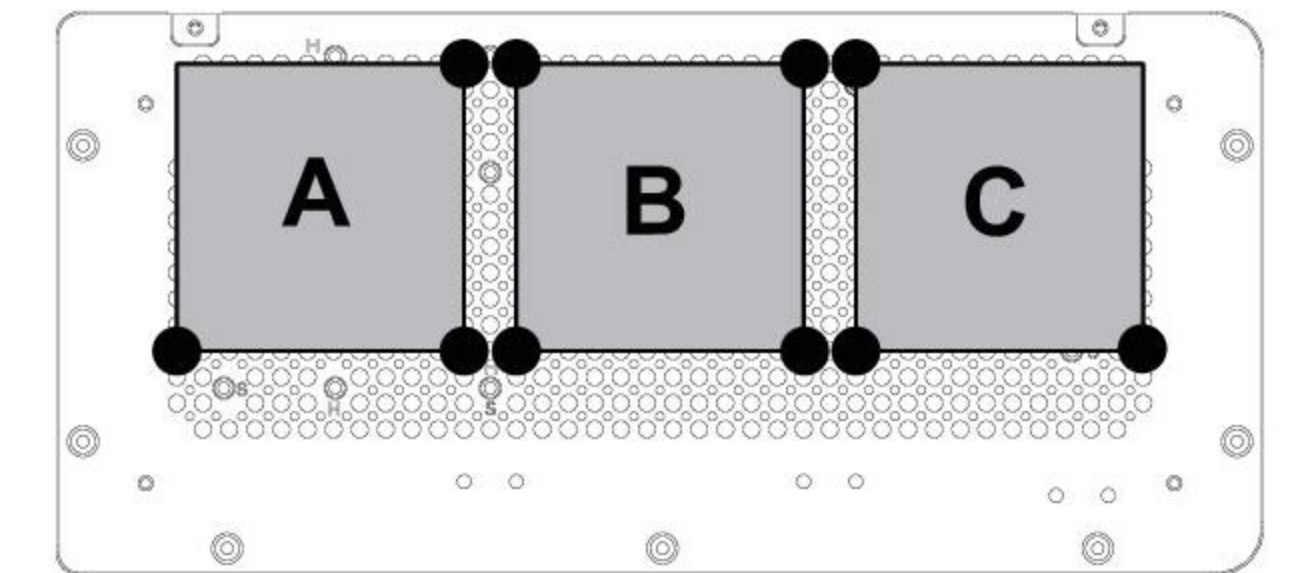
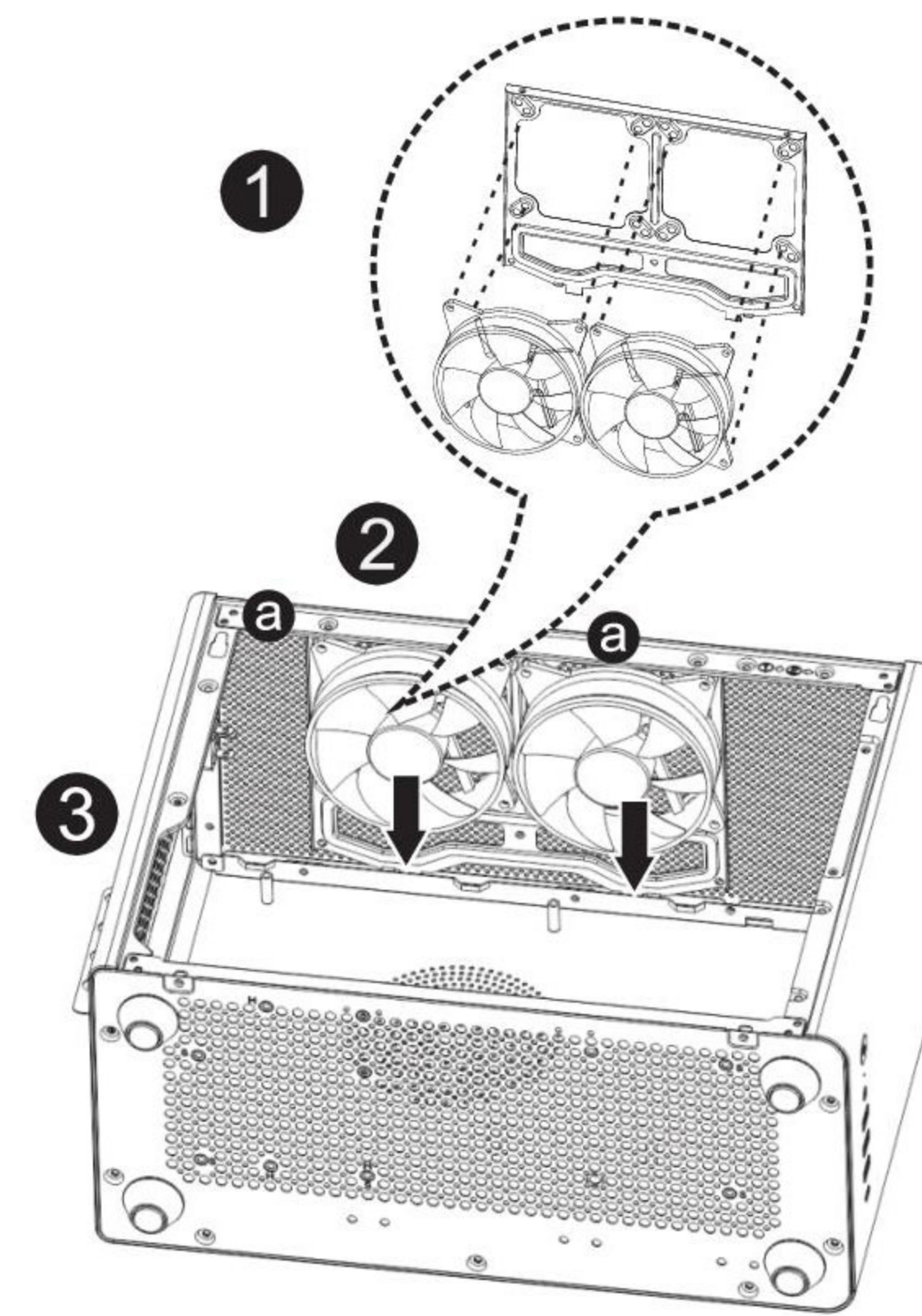
● positions mount for SSD ✱ positions mount for HDD



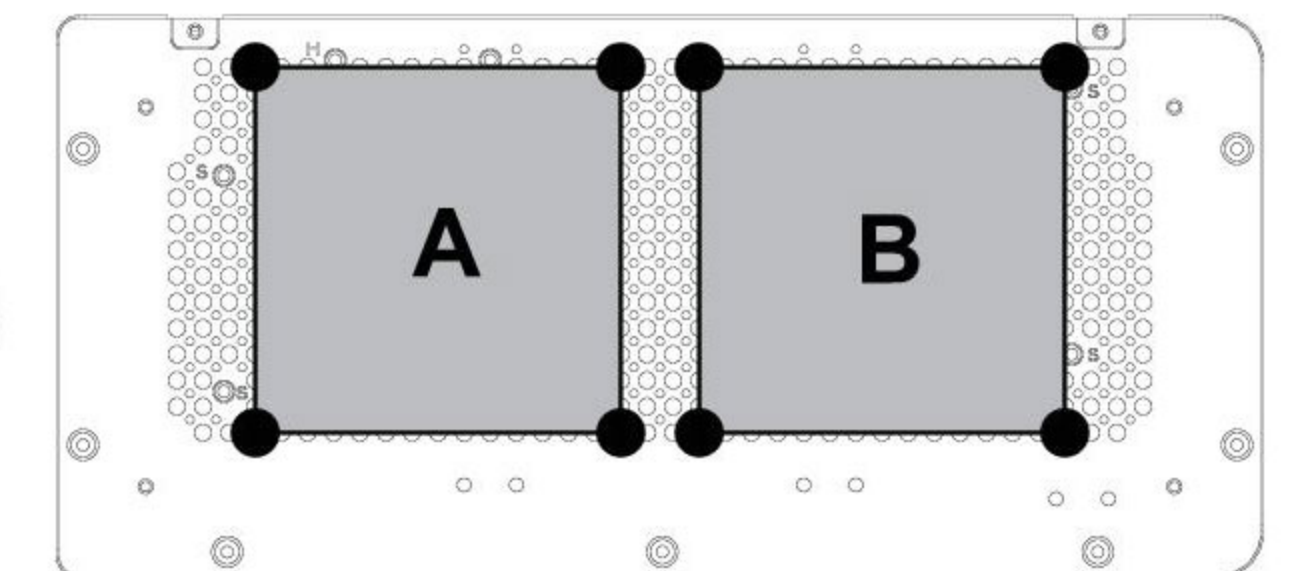
One 2.5 inch SSD can be fix on front plate by 2 screws at position a

6 Effortless fan installation

1. Fix 80mm fan x2 or 90mm fan x2 on the fan bracket;
2. Insert fan bracket into the slot beneath top panel according to the arrow direction as shown in the illustration, secure the fans with screws indicate at a
3. Rear panel can be installed with 80mm or 90mm fan x1
- 4&5. Illustration of fan positions on bottom panel



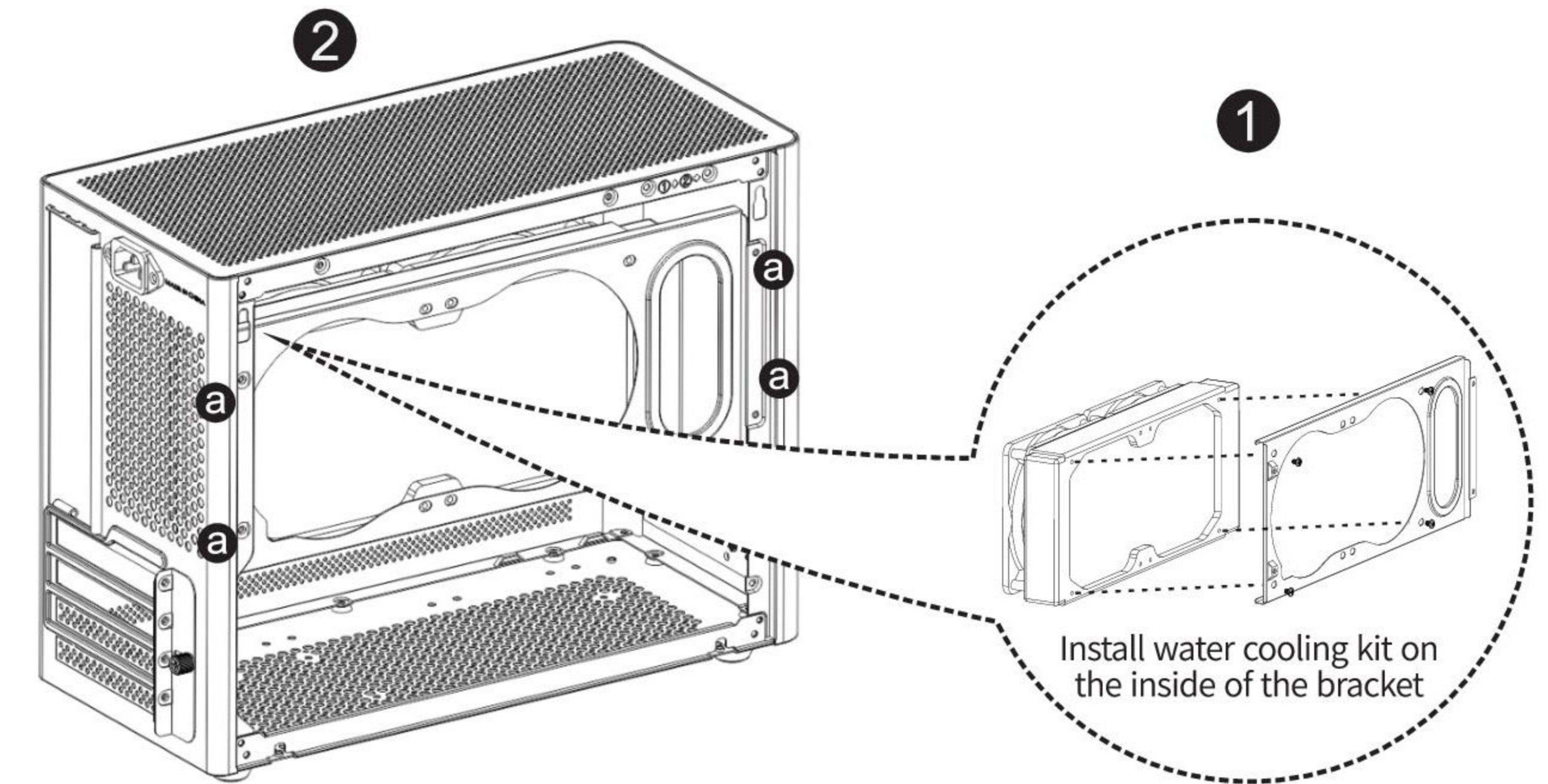
90mm fan x3 can be installed at the positions of A, B, C on bottom panel as shown in the illustration. Fans installed at position A, B can be fix by 3 screws. (position C can be installed with 2.5 inch SSD x1 if positions A, B installed with 90mm fan x2)



120mm fan x2 can be installed at the positions of A, B, on bottom panel as shown in the illustration. (position B can be installed with 2.5 inch SSD x1 if positions A installed with 120mm fan x1)

7 Water cooling kit installation

(The case only support SFX PSU if it's installed with water cooler)



1. Fix 240mm water cooling kit on the bracket by screws;
2. Put the bracket with water cooling kit on the chassis as shown in the illustration, align screws mount at position a then secure it with a Phillips head screwdriver.

8 Cooling device compatibility

Top: 80mm fan x2 or 90mm fan x2
 Rear: 80mm fan x1 or 90mm fan x1
 Bottom: 90mm fan x3 or 120mm fan x2
 Side: 240mm radiator x 1 (bracket provided)
 (The case only support SFX PSU if it's installed with 240mm radiator. Meanwhile the rear panel can not be installed with cooling fan)